

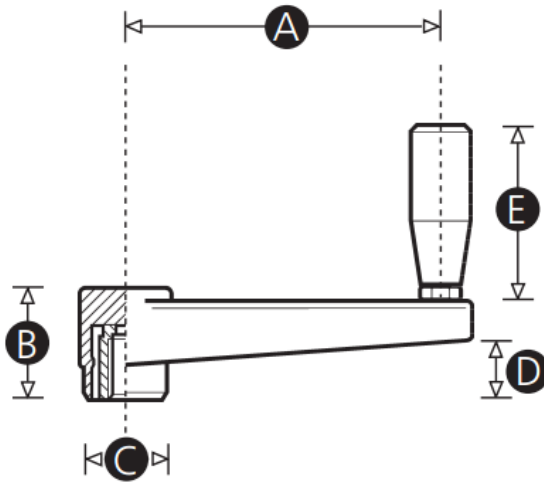
## G07CR Thermoplastic Cranking Handle

### Features

- Complete with a non-folding revolving side handle

### Material

- Body: High impact resistant thermoplastic, matt black
- Insert: Brass



Part No.	A	B	C	D	E	Thread Size
G07CR-6709T	65	30	22	17	52	M8
G07CR-7611T						M10
G07CR-7610X						M12
G07CR-6710P	80	33	26	19	52	M8
G07CR-6741X						M10
G07CR-7609Q						M12
G07CR-6711W	110	39	29	25	62	M10
G07CR-7612P						M12
G07CR-9446Q						M14
G07CR-6712S	140	49	35	33	72	M12
G07CR-9447X						M14
G07CR-7608U						M16
G07CR-6713Z	185	55	40	40	82	M12
G07CR-9850R						M14
G07CR-7607Y						M16